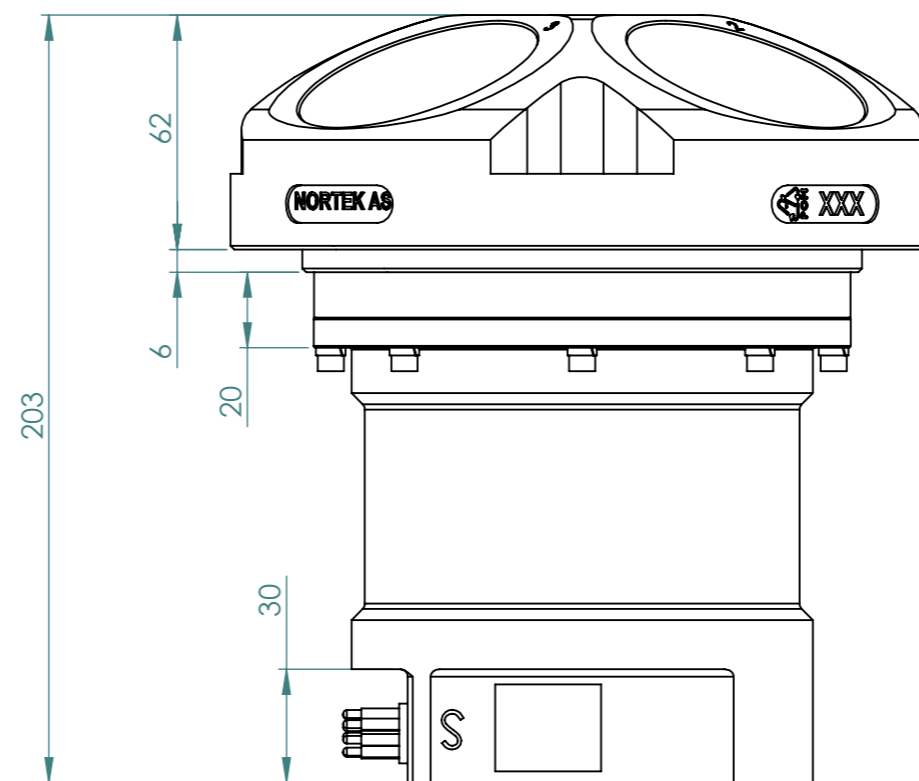
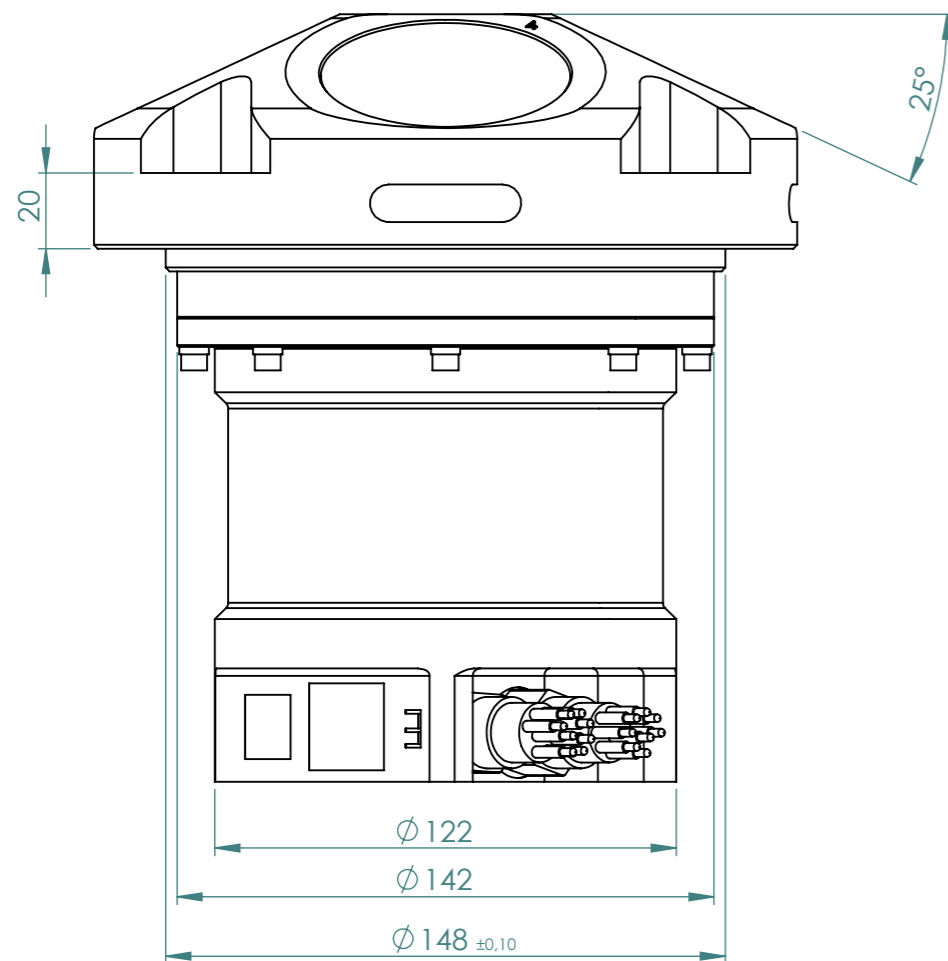
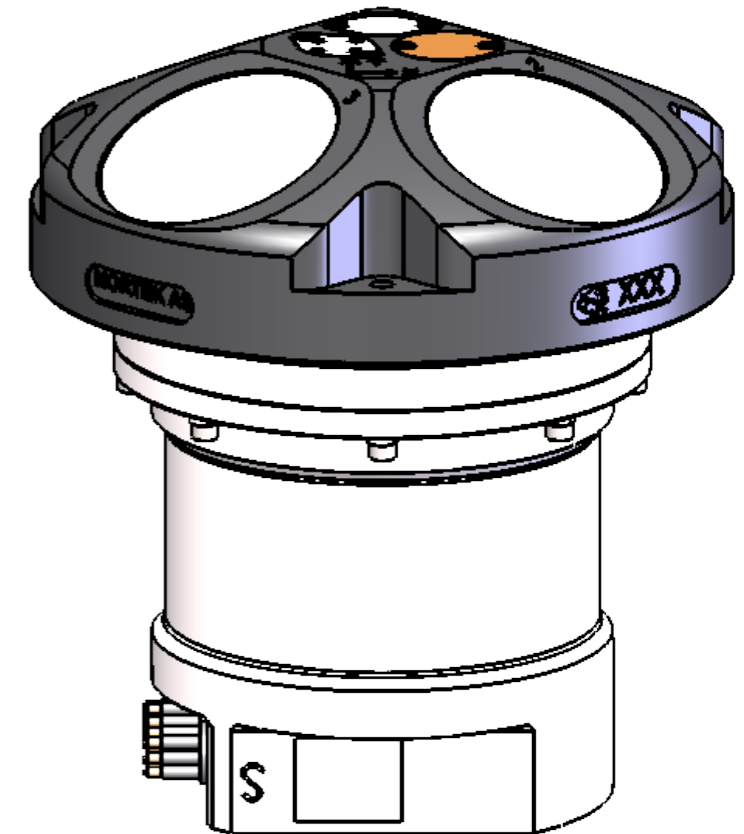
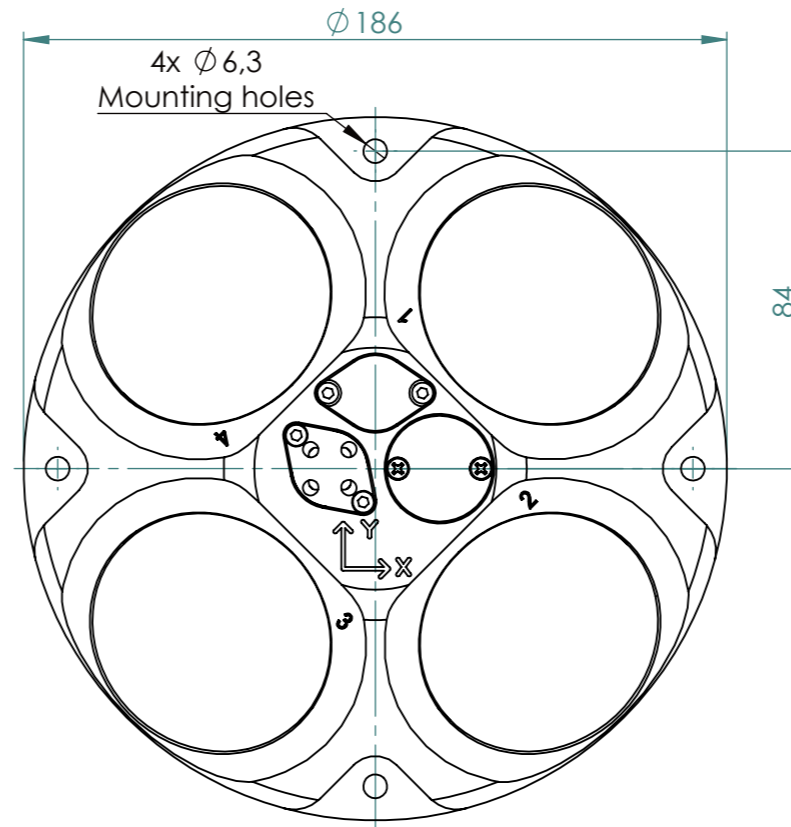
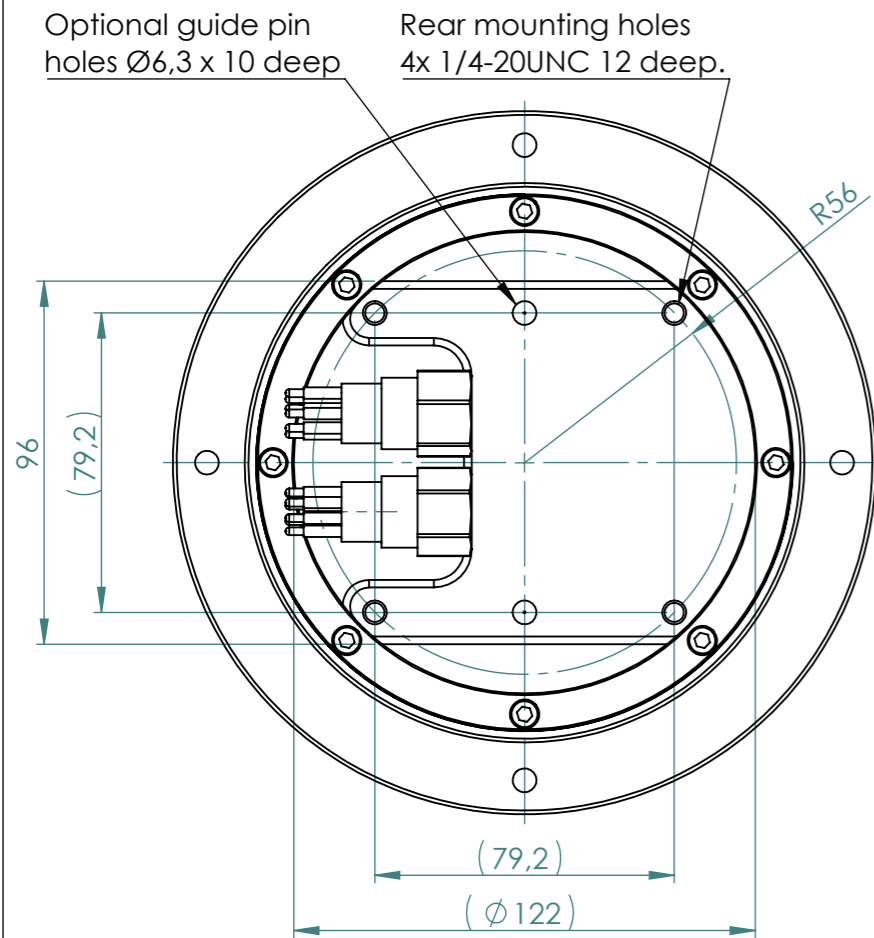




General Arrangement Drawing



Possible connections: Ethernet or Serial OR both

Weight dry	:	5,9Kg
Weight in water	:	3,1Kg

Title:
DVL 500KHZ, 6000m General Arrangement

File Name: NGA032-003

Rev: B

Date: 28.06.2017

Dimensions are in millimeters
Copyright Nortek AS