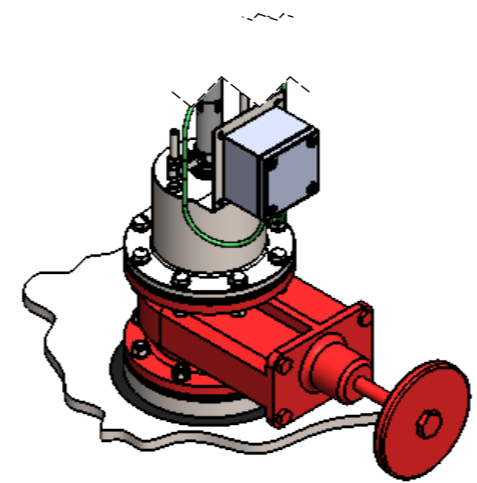
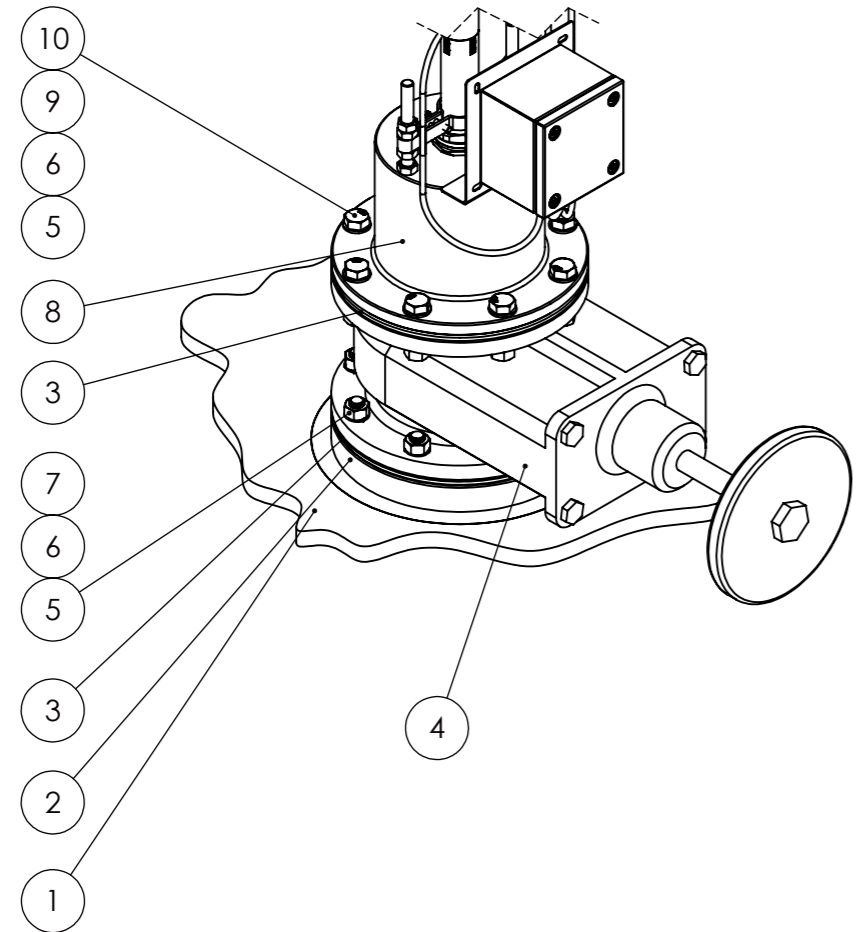


Item No.	Dwg No	Inv No	Description	Material	QTY.
1	-		Ships hull	Yard Standard	1
2	N2043-033		NSO SB Flange 2043-NSL-I-XD-033	Steel EN10250-2/ Grade: S355j2G3+N	1
3	4026217	420102	Gasket DN200 PN10	Neopren Rubber	2
4	5511986	534301	Gate Valve With Indicator LK DN200-PN10	Ductile Iron	1
5	90685A130	410318	Hex Nut M20	Alloy Steel	16
6	91202A257	410321	M20 SPLIT LOCK WASHER	ZINC-PLATED STEEL	16
7	N2043-037	410316	M20 x 90 Threaded Rod Class 10.9	Alloy Steel	8
8	N2043-057		NSO Bell Housing Assembly		1
9	91455A180	410319	M20 CLASS 10.9 STEEL FLAT WASHER	Zinc-Plated Alloy Steel	8
10	91310A956	410317	Hex Screw M20 x 80	Alloy Steel 10.9	8
11	N2043-040	650347	NSO Assembly for SB		1



Changed Date	Changed By	Checked Date	Checked By	Approved Date	Approved By	Changed Description	Rev
23.08.2022	TT			23.08.2022	TT	Name changed, NEO 21957	G
14.01.2020	TT			14.01.2020	TT	BOM updated, Inv No added, NEO 21503	F
18.10.2019	TT			18.10.2019	TT	Material in BOM updated, NEO 21440	E

**NSO SB Assembly 2043-NSL-I-XD-053**

**NORTEK** Drawing No: N2043-053 Rev: G  
 Inv No: 650353 Weight: 157Kg Drawn by: MWB  
 Date: 12.06.2018 Scale: 1:20 Size: A-3

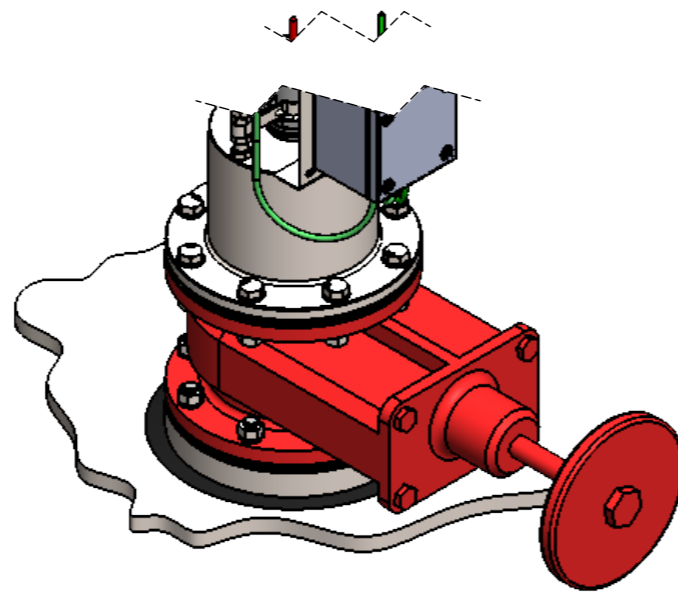
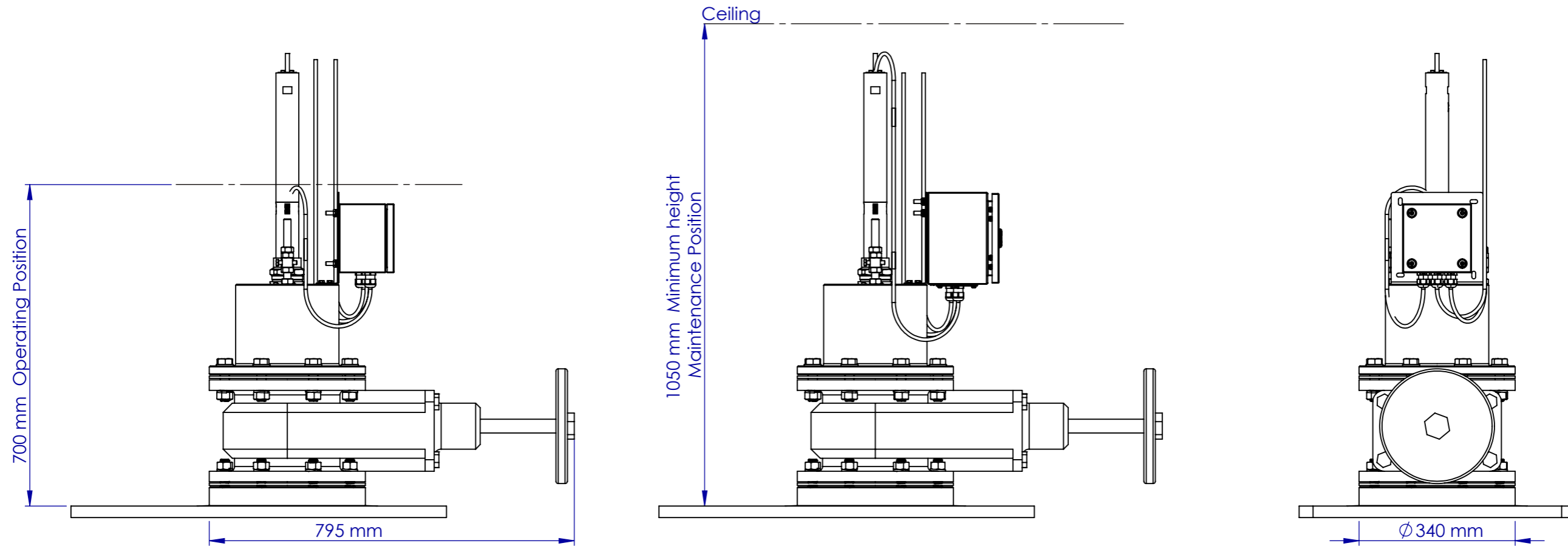
Material: Sheet 1 of 2

Unless otherwise specified, dimensions are in mm  
 Tolerances are:  
 Angles: +/- 0.5 degrees  
 Decimals: X = +/-0.5mm  
 0.X = +/-0.2mm  
 0.0X = +/-0.02mm

Other tolerances:  
 Nortek Standard N1000-008  
 ISO 2768-K

Drawing property of Nortek AS - Vangkroken 2 - 1351 Rud - Norway - inquiry@nortekgroup.com - www.nortekgroup.com

Notes:  
 - Inspection dimension and Rev. letter indicates a revision.  
 Red color indicates latest revision.



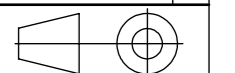
Notes:  
 - Inspection dimension and Rev. letter indicates a revision.  
 Red color indicates latest revision.

Changed Date	Changed By	Checked Date	Checked By	Approved Date	Approved By	Changed Description	Rev
23.08.2022	TT			23.08.2022	TT	Name changed, NEO 21957	G
14.01.2020	TT			14.01.2020	TT	BOM updated, Inv No added, NEO 21503	F
18.10.2019	TT			18.10.2019	TT	Material in BOM updated, NEO 21440	E

NSO SB Assembly 2043-NSL-I-XD-053



Drawing No	N2043-053		Rev.	G
Inv No	Weight	Drawn by:		MWB
Date:	12.06.2018	Scale:	1:20	Size
				A-3



Unless otherwise specified, dimensions are in mm  
 Tolerances are:  
 Angles: +/- 0.5 degrees  
 Decimals: X = +/-0.5mm  
 0.X = +/-0.2mm  
 0.0X = +/-0.02mm

Material	Sheet	Sheet2 of 2
----------	-------	-------------

Other tolerances:  
 Nortek Standard N1000-008  
 ISO 2768-K