

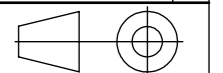
Item No.	Dwg No	Inv No	Description	Material	QTY.
1	-		Ships hull	Yard Standard	1
2	N2043-028	514316	NSO DB Bottom Flange 2043-NSL-I-XD-028	Steel EN10250-2/ Grade: S355j2G3+N	1
3	-		Pipe	Steel EN10250-2/ Grade: S355j2G3+N	1
4	-		DB Top Deck	Yard Standard	1
5	-		DB Top Plate to be welded	Yard Standard	1
6	N2043-029	514315	NSO DB Top Flange 2043-NSL-I-XD-029	Steel EN10250-2/ Grade: S355j2G3+N	1
7	4026217	420102	Gasket DN200 PN10	Neopren Rubber	2
8	5511986	534301	Gate Valve With Indicator LK DN200-PN10	Ductile Iron	1
9	N2043-064	650349	NSO Assembly for DB		1
10	N2043-057		NSO Bell Housing Assembly		1
11	91455A180	410319	M20 CLASS 10.9 STEEL FLAT WASHER	Zinc-Plated Alloy Steel	16
12	91310A956	410317	Hex Screw M20 x 80	Alloy Steel 10.9	8
13	91202A257	410321	M20 SPLIT LOCK WASHER	ZINC-PLATED STEEL	16
14	90685A130	410318	Hex Nut M20	Alloy Steel	16
15	N2043-035	410320	Hex Screw M20 x 85	Alloy Steel 10.9	8

Changed Date	Changed By	Checked Date	Checked By	Approved Date	Approved By	Changed Description	Rev
23.08.2022	TT			23.08.2022	TT	Name changed, NEO 21957	F
14.01.2020	TT			14.01.2020	TT	BOM updated, Inv No added, NEO 21503	E
18.10.2019	TT			18.10.2019	TT	Materials i BOM updated, NEO 21440	D

### NSO DB Assembly 2043-NSL-I-XD-060



Drawing No	N2043-060		Rev.	F
Inv No	650354	Weight	296Kg	Drawn by:
Date:	25.06.2018	Scale:	1:50	Size
				A-3



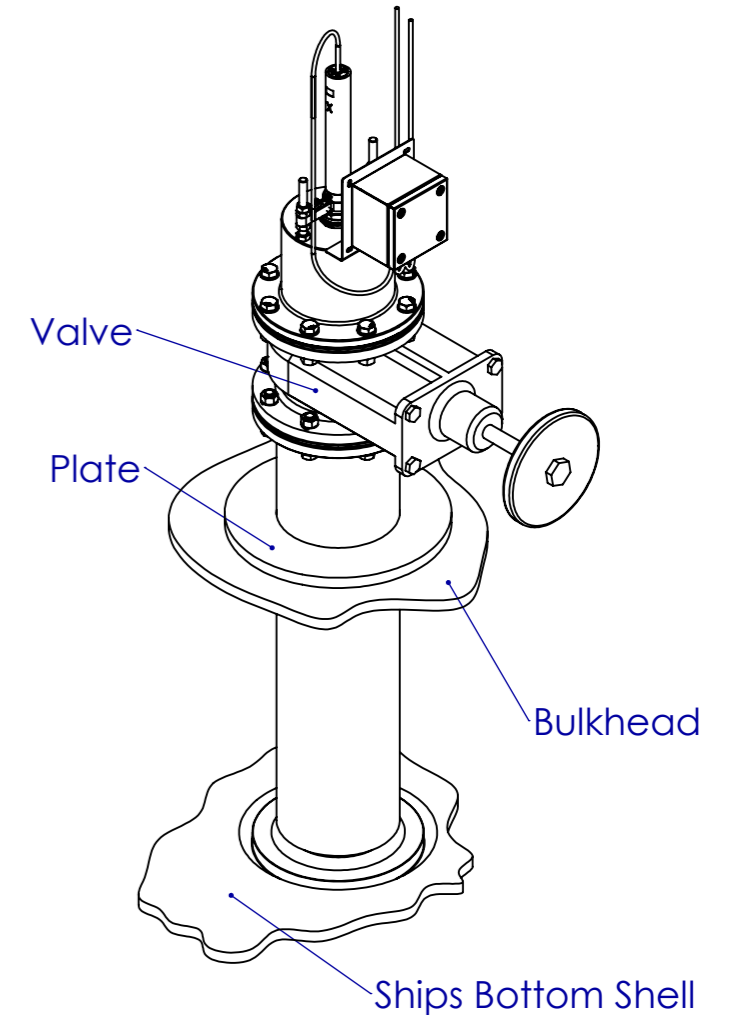
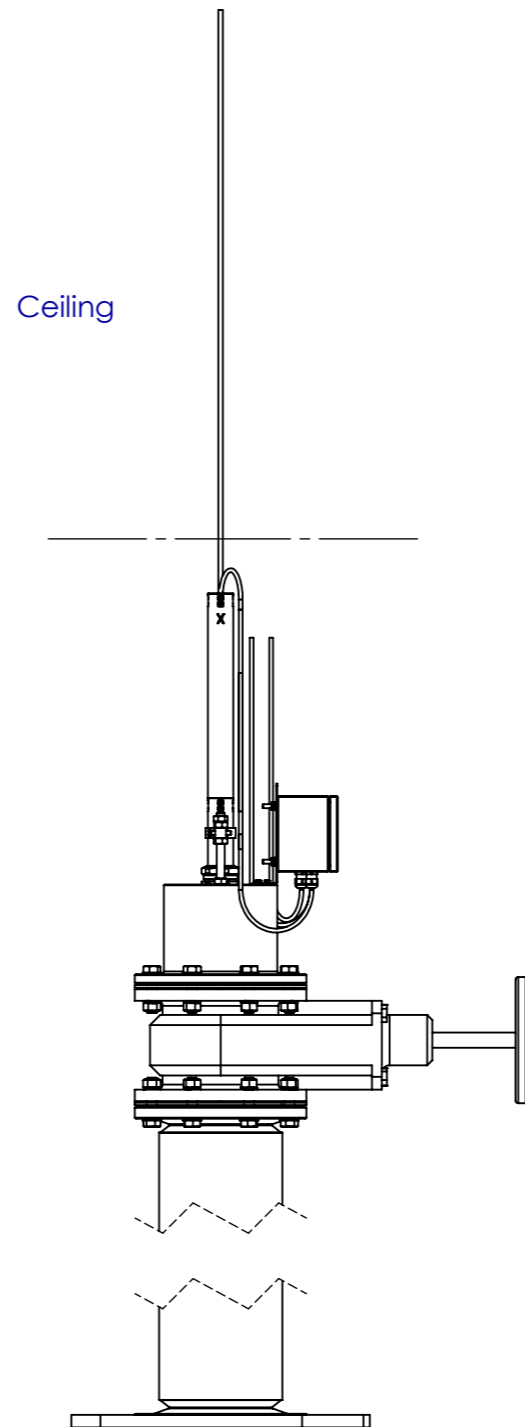
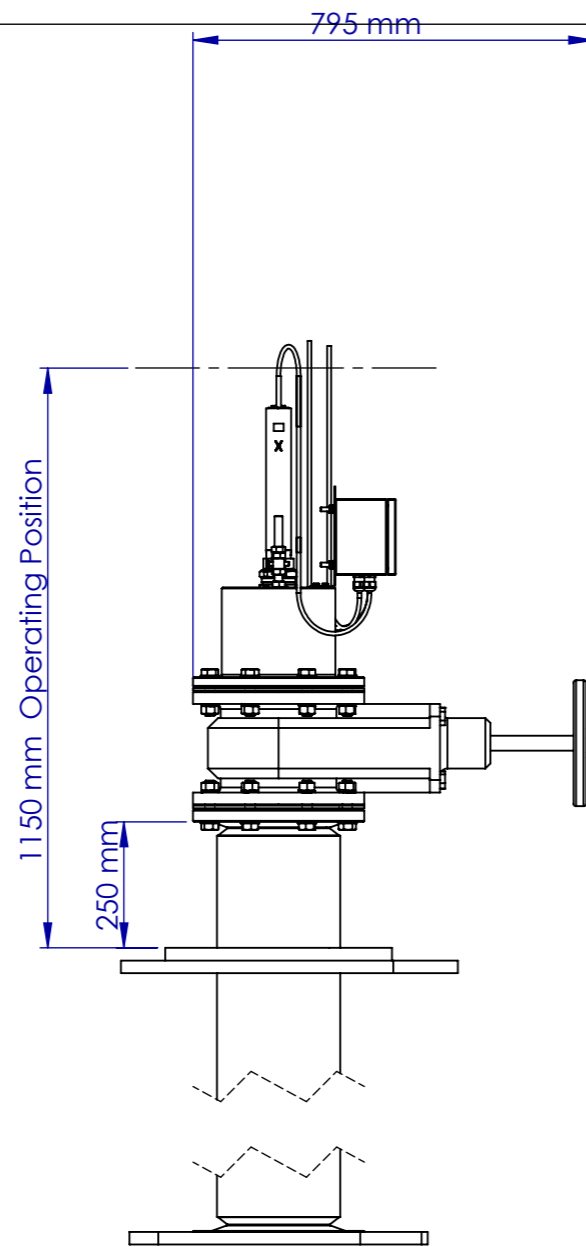
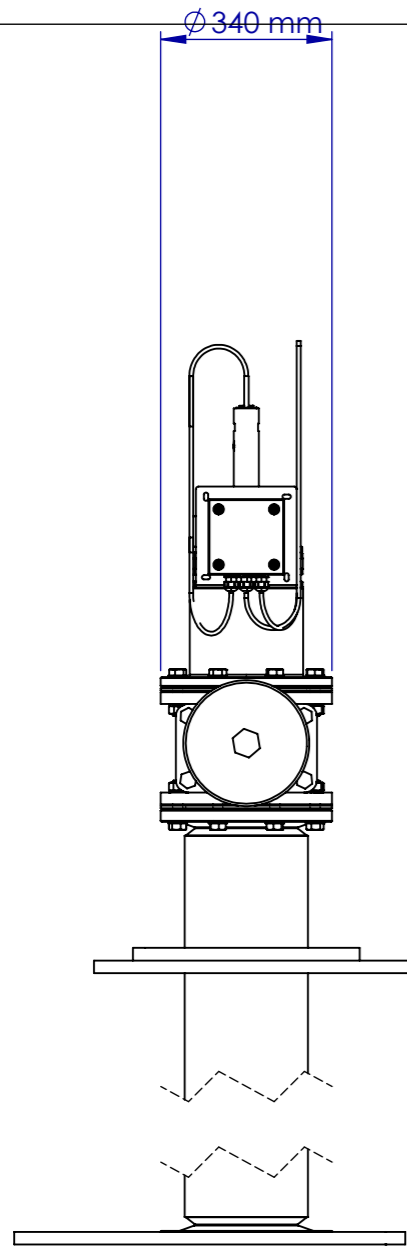
Unless otherwise specified, dimensions are in mm  
 Tolerances are:  
 Angles: +/- 0.5 degrees  
 Decimals: X = +/-0.5mm  
 0.X = +/-0.2mm  
 0.0X = +/-0.02mm

Material	Sheet	Sheet 1 of 2
----------	-------	--------------

Other tolerances:  
 Nortek Standard N1000-008  
 ISO 2768-K

Drawing property of Nortek AS - Vangkroken 2 - 1351 Rud - Norway - inquiry@nortekgroup.com - www.nortekgroup.com

Notes:  
 - Inspection dimension and Rev. letter indicates a revision.  
 Red color indicates latest revision.



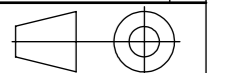
Notes:  
 - Inspection dimension and Rev. letter indicates a revision.  
 Red color indicates latest revision.

Changed Date	Changed By	Checked Date	Checked By	Approved Date	Approved By	Changed Description	Rev
23.08.2022	TT			23.08.2022	TT	Name changed, NEO 21957	F
14.01.2020	TT			14.01.2020	TT	BOM updated, Inv No added, NEO 21503	E
18.10.2019	TT			18.10.2019	TT	Materials i BOM updated, NEO 21440	D

NSO DB Assembly 2043-NSL-I-XD-060



Drawing No <b>N2043-060</b>		Rev. <b>F</b>	
Inv No <b>650354</b>	Weight <b>296Kg</b>	Drawn by: <b>MWB</b>	
Date: <b>25.06.2018</b>	Scale: <b>1:50</b>	Size <b>A-3</b>	



Unless otherwise specified, dimensions are in mm  
 Tolerances are:  
 Angles: +/- 0.5 degrees  
 Decimals: X = +/-0.5mm  
 0.X = +/-0.2mm  
 0.0X = +/-0.02mm

Material	Sheet <b>Sheet2 of 2</b>
----------	-----------------------------

Other tolerances:  
 Nortek Standard N1000-008  
 ISO 2768-K