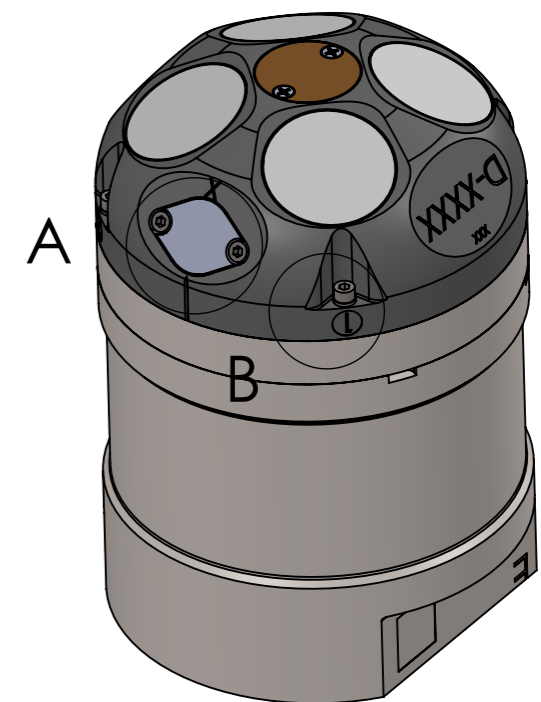
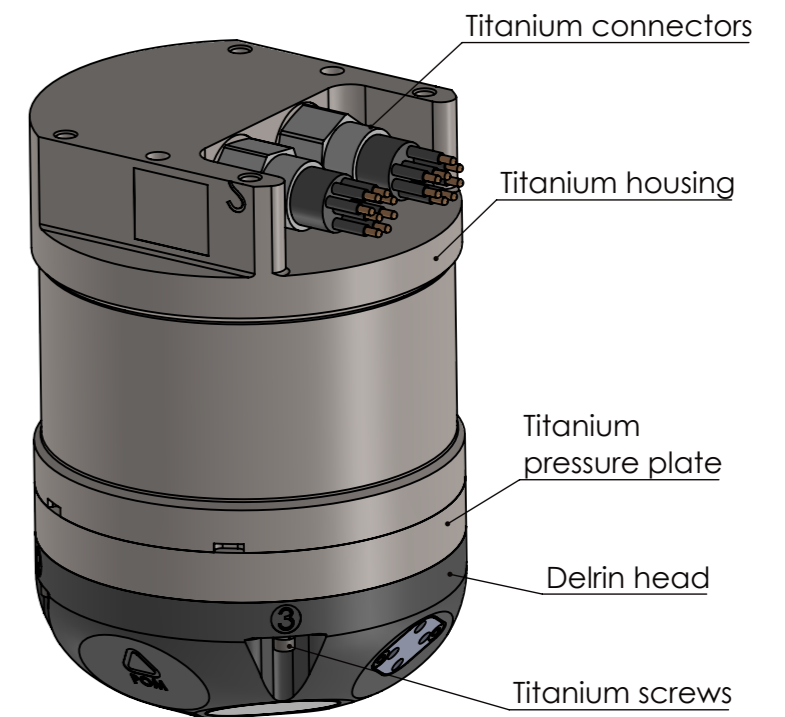
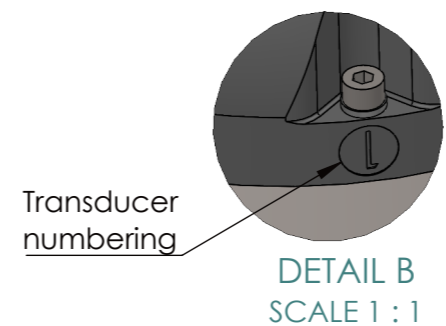
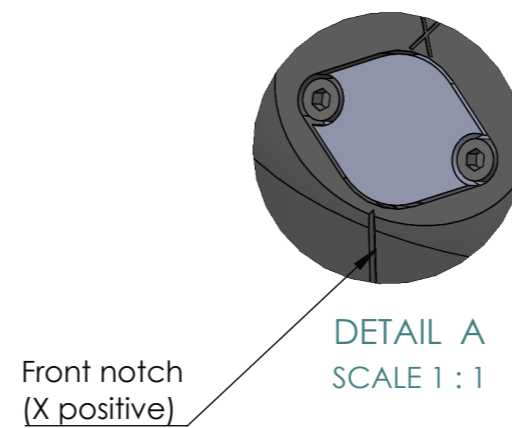
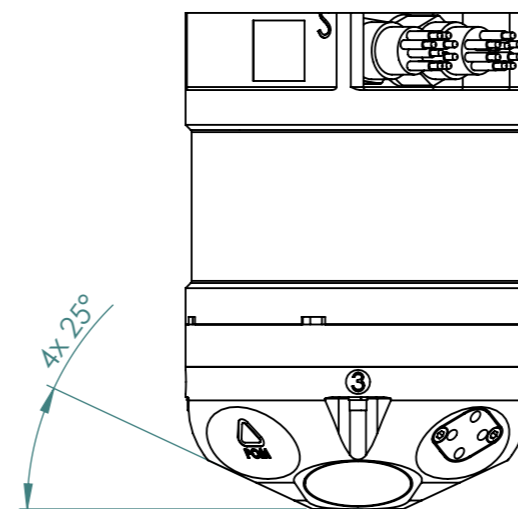
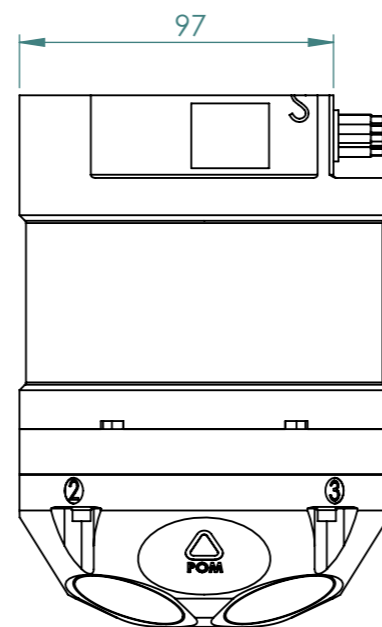
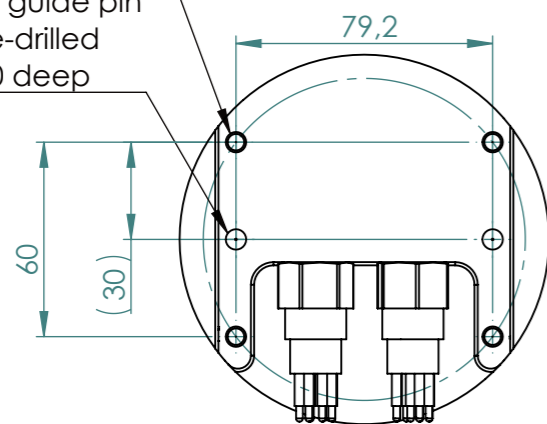


1/4-20UNC x12 deep mounting holes, use titanium screws.

Optional guide pin holes pre-drilled  $\varnothing 6,3$  x 10 deep



|                 |   |       |
|-----------------|---|-------|
| Weight dry      | : | 2670g |
| Weight in water | : | 1670g |

Possible connections: Ethernet or Serial OR both

|   |  |
|---|--|
| Title:<br>DVL 1000 -4000m General Arrangement |  |
| File Name:<br>NGA032-004                      | Rev:<br>B  |
| Date:<br>28.06.2017                           | Dimensions are in millimeters<br>Copyright Nortek AS |



General Arrangement Drawing