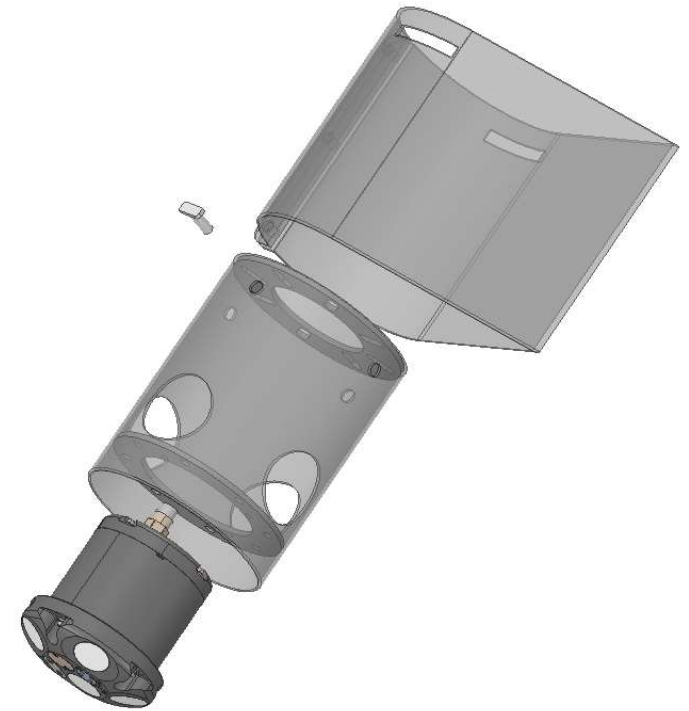


REVISION HISTORY			
REV	DESCRIPTION	DATE	APPROVED



Original drawing by NORTEK BV. No part of this drawing may be copied or reproduced without permission from NORTEK BV, and no part may be used to assist in making or to furnish any information for the making of drawings apparatus or parts thereof.

	NAME	DATE		
DRAWN	cees	xxxx-xx-xx		
CHECKED			TITLE	
ENG APPR			INVULLEN	
MGR APPR			PROJECT NR: Pxxxx	STATUS: PRELIMINARY
	UNLESS OTHERWISE SPECIFIED DIMENSIONS ARE IN MILLIMETERS ANGLES: 90°	SIZE	DWG NO	REV
	TP: +0.5 2 PL: +0.02 3 PL: +0.002	A3		01
	Other tolerances: ISO 2768-K	SCALE: 1:2		
FILE NAME: Signature 1000 VM 2020 Frame Outlines.d				SHEET 1 OF 1