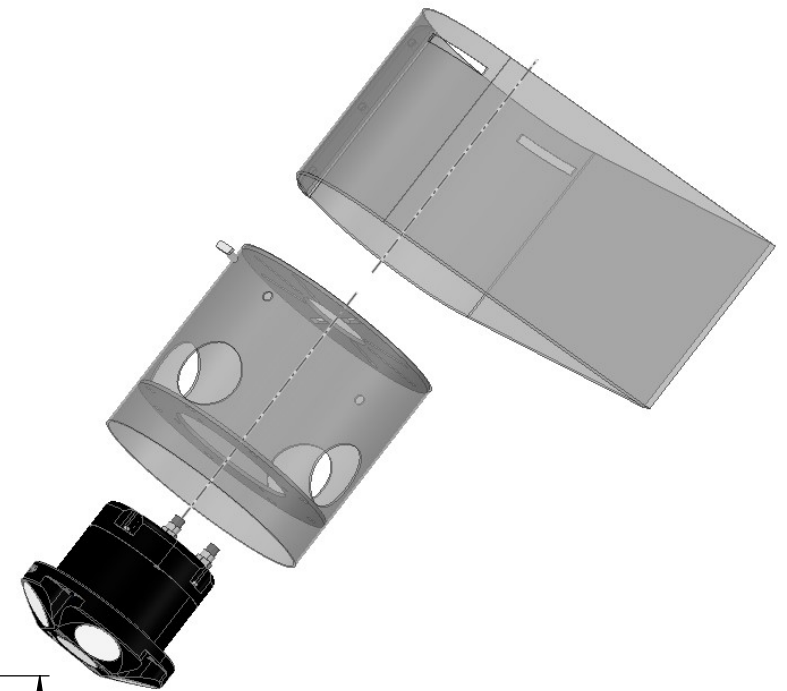
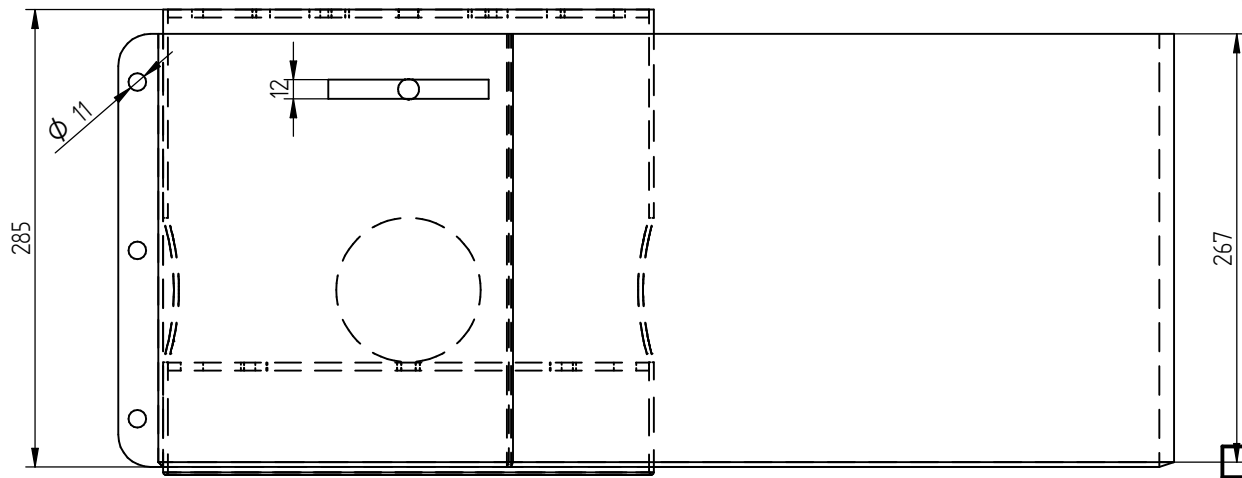
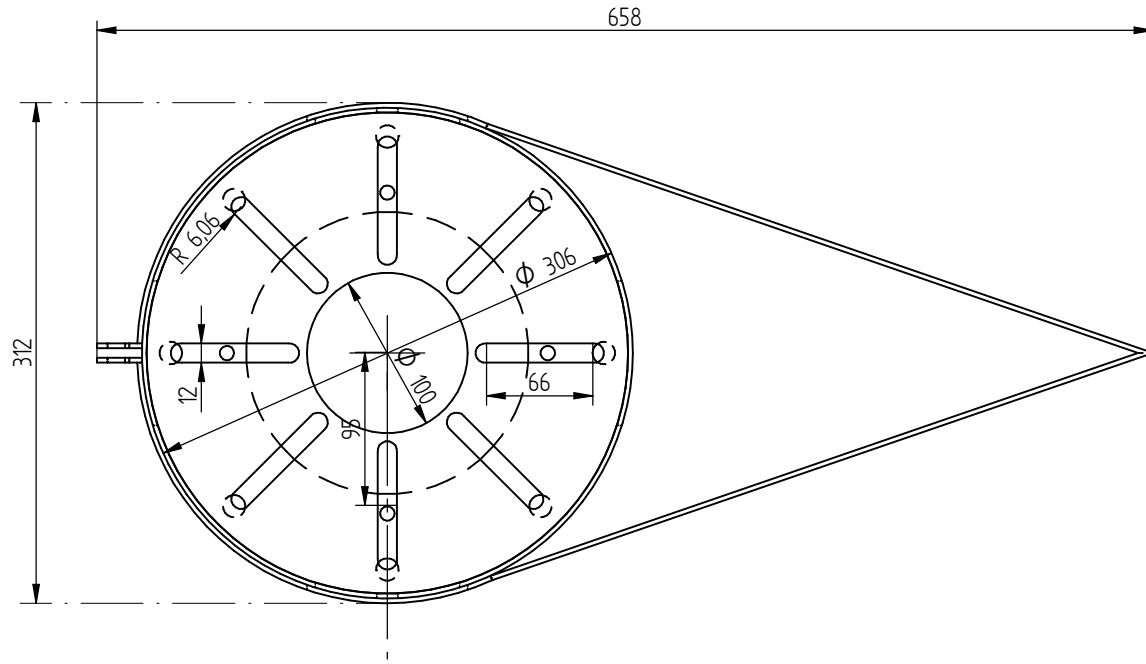

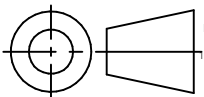


REVISION HISTORY			
REV	DESCRIPTION	DATE	APPROVED



Original drawing by NORTEK BV No part of this drawing may be copied or reproduced without permission from NORTEK BV, and no part may be used to assist in making or to furnish any information for the making of drawings apparatus or parts thereof.

	NAME	DATE	 NORTEK TITLE Signature 500 VM Mounting Frame PROJECT NR: Pxxxx STATUS: Final SIZE A3 DWG NO REV 01 FILE NAME: Signature 500 VM Frame Outlines.dft SCALE: 1:1 SHEET 1 OF 1	
DRAWN	cees	xxxx-xx-xx		
CHECKED				
ENG APPR				
MGR APPR				
 UNLESS OTHERWISE SPECIFIED DIMENSIONS ARE IN MILLIMETERS ANGLES ±0.5° PL ±0.5 2 PL ±0.02 3 PL ±0.002 Other tolerances ISO 2768-K				