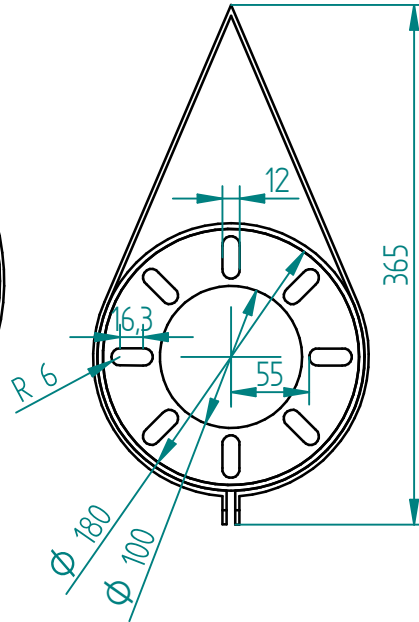



Signature500 VM



Signature1000 VM

REVISION HISTORY

REV	DESCRIPTION	DATE	APPROVED
A	Signature VM mounting frame top view for pole/flange attachment	23-03-2018	

	NAME	DATE	 NORTEK	NORTEK	
DRAWN	herman	29-mrt-2018			
CHECKED					
ENG APPR					
MGR APPR			TITLE Top view Signature VM mounting bracket		
UNLESS OTHERWISE SPECIFIED DIMENSIONS ARE IN MILLIMETERS ANGLES °X'X" 2 PL *XXXX 3 PL *XXXXX			SIZE A4	DWG NO	REV 01
			FILE NAME: Signature1000_500 VM Mounting bracket.dft		
			SCALE:	WEIGHT:	SHEET 1 OF 1

Original drawing by NORTEK BV No part of this drawing may be copied or reproduced without permission from NORTEK BV, and no part may be used to assist in making or to furnish any information for the making of drawings apparatus or parts thereof.