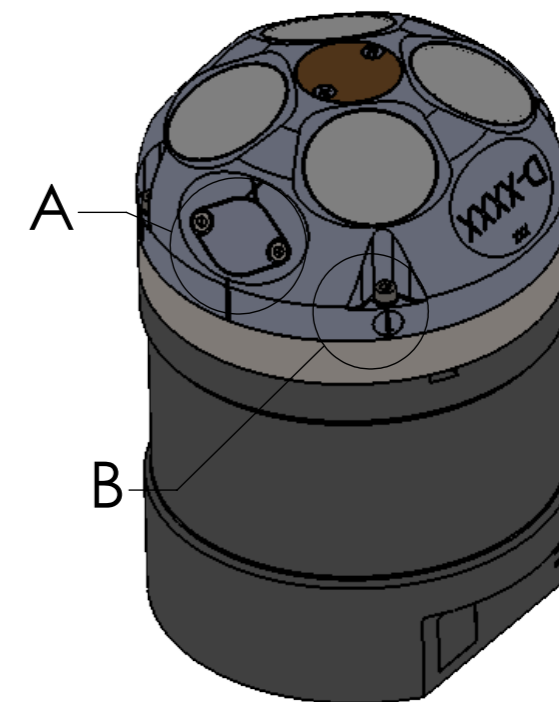
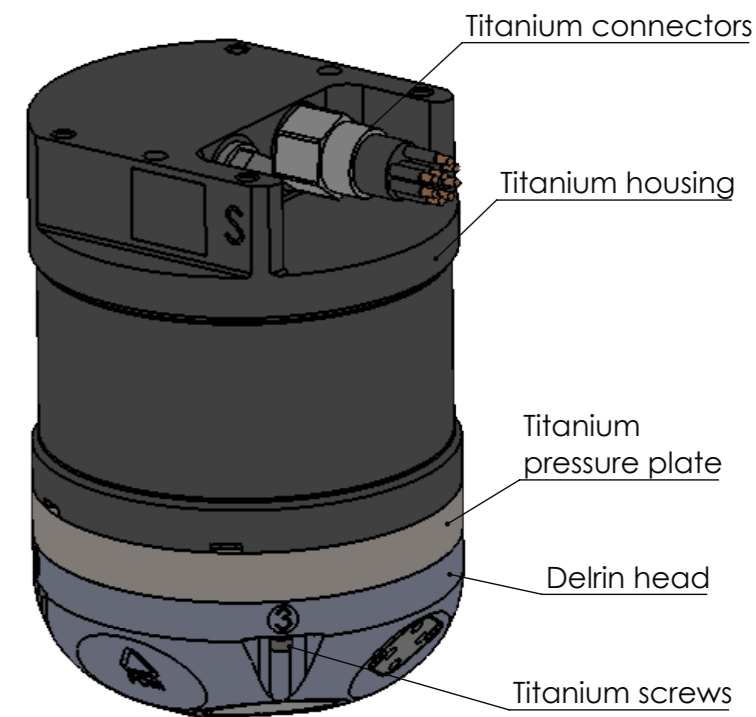
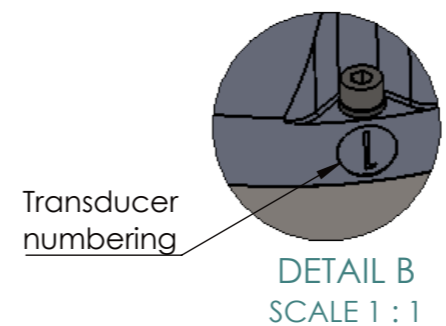
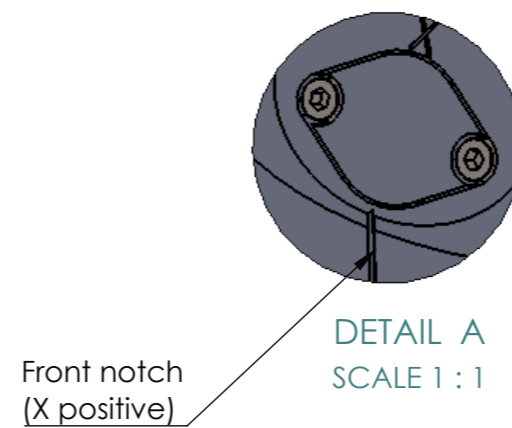
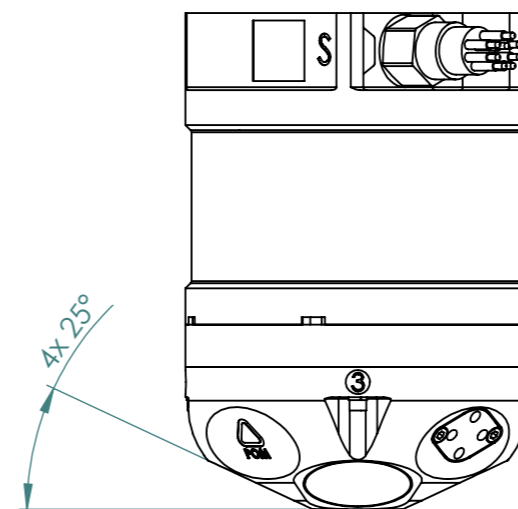
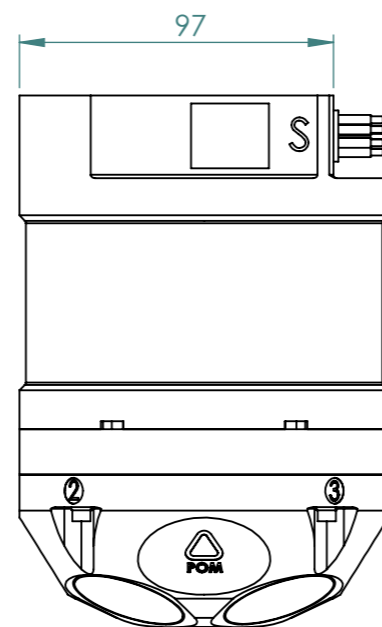
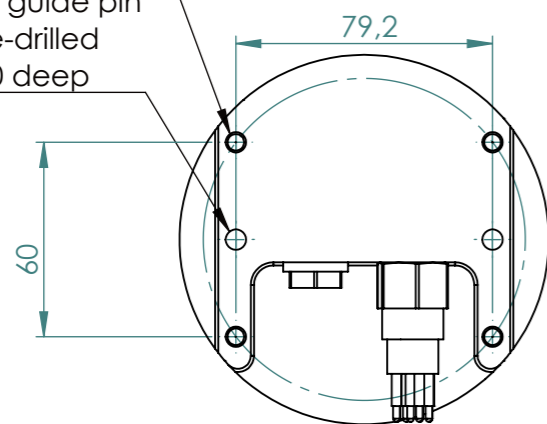


1/4-20UNC x12 deep mounting holes, use titanium screws.

Optional guide pin holes pre-drilled $\varnothing 6,3$ x 10 deep



Weight dry	:	2690g
Weight in water	:	1690g

Possible connections: Ethernet or Serial OR both

Title: DVL Compact 500 -4000m General Arrangement	
File Name: NGA032-021	Rev: -
Date: 03.05.2021	Dimensions are in millimeters Copyright Nortek AS



General Arrangement Drawing